



ELECTRONICS  
DESIGN &  
MANUFACTURING

# Safecom Solution-16 Quick Reference Guide

ISSUE 1.10



# *Safecom Solution-16*

## **Quick Reference Guide**

Copyright © 1998 by Electronics Design and Manufacturing Pty Limited,  
SYDNEY, AUSTRALIA

**Document Part Number MA8016Q**

**DOCUMENT ISSUE 1.10**

**Printed 15 February 1999**

**This documentation is provided to suit *Safecom Solution-16 (SC8016)* control panel. All options can be found in the *Solution-16 Installation Manual (MA8016I)*.**

Firmware Revision 2.00

Hardware Revision K

Alarm Link Form - Software Version 1.00 = S16\_V20

### **Copyright Notice**

All rights reserved. No part of this publication may be reproduced, transmitted or stored in a retrieval system in any form or by any means, electronic, mechanical, photocopying, recording, or otherwise, without the prior written permission of Electronics Design and Manufacturing Pty Limited.

### **Trademarks**

Throughout this document trademark names may have been used. Rather than put a trademark symbol in every occurrence of a trademark name, we state that we are using the names only in an editorial fashion and to the benefit of the trademark owner with no intention of infringement of the trademark.

### **Notice of Liability**

While every precaution has been taken in the preparation of this document, neither Electronics Design and Manufacturing Pty Limited nor any of its official representatives shall have any liability to any person or entity with respect to any liability, loss or damage caused or alleged to be caused directly or indirectly by the information contained in this book.

Electronics Design and Manufacturing Pty Limited reserves the right to make changes to features and specifications at any time without prior notification in the interest of ongoing product development and improvement.

## Introduction

Thankyou for choosing the *Safecom Solution-16* control panel for your installation. We are sure that you will find this system extremely flexible, reliable and easy to use.

Before using the system for the first time, we suggest that you read the section in this Quick Reference Guide called Programming With The Remote Codepad to familiarise yourself with the basic programming methodology.

The Quick Reference Guide is supplied with the control panel to provide users with enough basic information to wire, configure and operate the system. Due to the systems many programmable features and options we suggest that you obtain the complete Installation Manual which provides detailed information on all system options and functions as well as detailed information on the numerous programming methods.

## Programming

The programming options of the control panel are stored in a non-volatile Eprom. This memory will hold all the relevant configuration and user specific data even during a total power loss.

The data retention time is as long as ten years without power; therefore, no reprogramming will be required after powering the control panel down.

The data can be changed as many times as required without the need for any additional specialised equipment. This memory is laid out in numerous locations, each of which holds the data for a specific function.



---

**15 is the maximum value that can be programmed into any location.**

---

In general, the entire programming sequence will consist of nominating the required location number and then entering or changing the current data. You will repeat this procedure until all the data has been programmed to suit your requirements. The factory default settings have been selected for reporting in the Contact ID Format.

The Installers Code only gives access to the Installer's Programming Mode and does NOT arm and disarm the system.

Programming of the *Safecom Solution-16* control panel can be carried out via any of the four following methods.

- System Codepad
- Hand Held Programmer (CC814)
- Programming Key (CC891)
- Alarm Link Upload/Download Software (CC816)

## Programming With The Remote Codepad

When programming the system via the remote codepad, the system must be in the disarmed state with no alarm memory present. To reset alarm memory, enter a valid **USER CODE** followed by the **AWAY** button. A user code is any code that has been programmed to arm and disarm the system including the Master Code.

To access the Installer's Programming Mode, enter the four digit **INSTALLER CODE** followed by the **AWAY** button. The factory default Installer Code is **1234**. Two beeps will be heard and both the AWAY and the STAY indicators will flash simultaneously to indicate that you have entered Installer's Programming Mode. When entering Installer's Programming Mode, you will be automatically positioned at "LOCATION 000", the beginning of the Primary Telephone Number.

When attempting to enter Installer's Programming Mode and a long beep is heard, access into Installer's Programming Mode has been denied.

Data Value	Zone 1 Indicator	Zone 2 Indicator	Zone 3 Indicator	Zone 4 Indicator	Zone 5 Indicator	Zone 6 Indicator	Zone 7 Indicator	Zone 8 Indicator	MAINS Indicator
0									
1	✓								
2		✓							
3			✓						
4				✓					
5					✓				
6						✓			
7							✓		
8								✓	
9	✓							✓	
10									✓
11	✓								✓
12		✓							✓
13			✓						✓
14				✓					✓
15					✓				✓

*Table 1: Zone Indicators When Programming*

*Example*

To enter Installer's Programming Mode, enter the **INSTALLER CODE** followed by the **AWAY** button. Two beeps will be heard and both the AWAY and the STAY indicators will flash simultaneously to indicate that you have entered Installer's Programming Mode. The codepad indicators will display the current data stored in the first location (LOCATION 000).

To move to another programming location, enter the **LOCATION NUMBER** required followed by the **AWAY** button. The data of the new location will now be displayed (eg. **52** followed by the **AWAY** button will automatically step you to the beginning of the Subscriber ID Number).

To move to the next location, press the **AWAY** button. This will step you to the next location and the data in that location will be displayed (eg. If you are currently positioned at "LOCATION 052", pressing the **AWAY** button will step you to "LOCATION 053").

If you press the **STAY** button without previously entering a location number, the system will step back one location (eg. If you are positioned at "LOCATION 053" and you press the **STAY** button, you will step back one location to LOCATION 052).

To change data in the current location, enter the new value (0 – 15) followed by the **STAY** button. This will store the new data into the location and still leave you positioned at the same location. You will notice that the new information programmed will be displayed on the codepad indicators. (eg. If you enter the value **14** followed by the **STAY** button, both ZONE 4 and the MAINS indicator will illuminate).

To move to the next location, press the **AWAY** button. The data in the next location will now be displayed.

To exit the Installer's Programming Mode, enter command **960** followed by the **AWAY** button. Two beeps will be heard and the STAY and AWAY indicators will extinguish. The system will now return to the disarmed state and is now ready for use.

Refer to Installer's Programming Commands on page 8 for further information on commands that can be performed during access of Installer's Programming Mode.

*Programming Option Bits*

When programming these locations, you will notice that there are four options per location. You may select one, two, three or all four of these options, however, only one number needs to be programmed. This number is calculated by adding the option bit numbers together.

*Example*

If at "LOCATION 663" you want options 1, 2 and 4, add the numbers together and the total is the number to be programmed. In this example, the number to be programmed is 7 (ie.  $1 + 2 + 4 = 7$ ).

Option	Description
<b>1</b>	Enabled = Allow Dialler Reporting Functions Disabled = Disable All Dialler Reporting Functions
<b>2</b>	Enable Remote Arming Via The Telephone
<b>4</b>	Enable Upload/Download Via Alarm Link
<b>8</b>	Terminate "Alarm Link" Session On Alarm

*Table 2: Example - Programming Option Bits*

## Quick Start

The following steps will allow you to use the *Safecom Solution-16* control panel with the factory default values. The default values allow the control panel to communicate in the Contact ID format.

1. After all wiring has been completed, connect the AC plug pack to the control panel. Both the MAINS and AWAY indicator's will illuminate. The MAINS indicator will display to indicate that the AC mains supply has been connected. The AWAY indicator displays that the system is now armed in the AWAY Mode. If any 24-hour zones are unsealed at the time the system is powered up, the siren, strobe and bell outputs will activate into alarm and the corresponding zone indicator will flash.
2. Enter the default Master Code **2580** followed by the **AWAY** button to disarm the system and to reset any alarm that may have occurred during the system power up. The AWAY indicator will extinguish to indicate that the system has now been disarmed. If any zone indicators are flashing, this would indicate that an alarm had occurred on that zone. If a zone indicator is constantly illuminated, this would indicate that the zone is unsealed.
3. The back-up battery should now be connected.
4. Enter the factory default Installer Code **1234** followed by the **AWAY** button. Two beeps will be heard and the STAY and AWAY indicators will now flash simultaneously to indicate that you have now entered Installer's Programming Mode. When entering Installer's Programming Mode, you will be automatically positioned at "LOCATION 000", the beginning of the Primary Telephone Number.
5. Enter the Primary Telephone Number followed by the Secondary Telephone Number and the Subscriber ID Number.

Remember that when programming a zero in the telephone numbers, a zero must be programmed as a ten. Programming a zero in the telephone number will indicate the end of the dialling sequence. A zero must be programmed as a zero in all other locations other than the Primary and Secondary Telephone Numbers, unless otherwise stated.

6. Set the time for the test reports if required. Any other programming changes required may also be made, otherwise the factory default settings will be used.
7. Enter Installer's Command **960** followed by the **AWAY** button to exit Installer's Programming Mode. Two beeps will be heard and the STAY and AWAY indicators will extinguish. The system has now returned to the disarmed state and is now ready for use. Refer to Installer's Programming Commands on page 8 for more information.
8. Use the Master Code to set the date and time. Refer to Setting The Date and Time on page 7 for more information.

## Setting The Date and Time

1. Enter your **MASTER CODE** followed by **6** and the **AWAY** button.  
Three beeps will be heard and the STAY and AWAY indicators will begin to flash.
2. Enter the day, month, year, hour and minute using the (DD, MM, YY, HH, MM) format (ie. DD = Day of the month, MM = Month of the year, YY = Current year, HH = Hour of the day, MM = Minute of the day).



Please note that when programming the hour of the day, you will need to use 24:00 hour format.

3. Press the **AWAY** button when finished.  
Two beeps will be heard and the STAY and AWAY indicators will extinguish. The system will now return to the disarmed state and is ready for use.

**MASTER CODE** + **6** + **AWAY**  
 + **DD** + **MM** + **YY** + **HH** + **MM**  
 + **AWAY**

### Example

If the date and time needs to be set for the 1st February 1998 at 10:30 PM, program the date and time as follows;

**MASTER CODE** + **6** + **AWAY**  
 + **0** + **1** + **0** + **2** + **9** + **8** + **2** + **2** + **3** + **0**  
 + **AWAY**

## Zone Defaults

The default zone settings are as listed in the table below.

Zone No	Zone Type	Zone No	Zone Type
1	Delay-1	6 & 7, 9 - 16	Instant
2 - 5	Handover	8	24 Hour

*Table 3: Zone Defaults*



The quick start example given in this quick reference guide is a simplified description of how to configure the panel. This system offers many other programmable features which are described in detail in the *Solution-16 Installation Manual (MA880I)*.

## Installer's Programming Commands

There are ten different commands that can be used to perform various functions once the Installer's Programming Mode has been entered. To issue the command required, enter the corresponding numerical code followed by the # button.

Command	Description
958	Enable/Disable Zone Status Mode When Using Hand Held Programmer
959	Test Programming Key
960	Exit Installer's Programming Mode
961	Reset Control Panel Back To Factory Default Settings
962	Copy The Control Panel Memory To The Programming Key
963	Copy The Programming Key Data To The Control Panel
964	Erase Programming Key
965	Set Up Domestic Dialling Format
966	Enable/Disable Automatic Stepping Of Locations During Programming
999	This Command Displays The Control Panel's Software Version Number When Using The Hand Held Programmer

*Table 4: Installer's Programming Commands*

## Installer Code Functions

Installer Code functions are designed to allow the installer to perform various system tests without the need to know a Master Code.

To enter the required Installer Code function, enter the  followed by the required  digit and the  button.

**These functions can only be carried out when the system is in the disarmed state.**

Function	Description
2	Set Number Of Days Until The First Test Report
3	Event Memory Recall Mode
4	Walk Test Mode
5	EDMSAT - Satellite Siren Service Mode
7	Turning Telephone Monitor Mode On/Off

*Table 5: Installer Code Functions*



## Master Code Functions

Master Code functions are designed to allow those users that have the appropriate priority level to perform certain functions of a supervisory level. Additional information on all Master Code functions can be found in the Safecom Solution-16 Operators Manual supplied with the control panel. These functions can only be carried out when the system is in the disarmed state.



The default Master Code is **2580** and is known as User Code 1. It is possible for the system to have multiple Master Codes.

To enter the required Master Code function, enter the **MASTER CODE** followed by the required **FUNCTION** digit and the **AWAY** button.

Function	Description
<b>0</b>	Arm/Disarm All Areas At Same Time (Partitioned Systems Only)
<b>1</b>	Changing and Deleting User Codes
<b>2</b>	Changing Domestic Telephone Numbers
<b>3</b>	Event Memory Recall Mode
<b>4</b>	Walk Test Mode
<b>5</b>	Turning Outputs On/Off
<b>6</b>	Setting The Date and Time
<b>8</b>	Setting Zones For STAY Mode 2

*Table 6: Master Code Functions*

## Hold Down Functions

Hold Down functions have been incorporated to allow easy activation of specific operations. When a button is held down for two seconds, two beeps will be heard and a particular function will operate. The available hold down functions are listed below.

Function	Description
<b>AWAY</b>	Arm The System In AWAY Mode
<b>STAY</b>	Arm The System In STAY Mode 1
<b>0</b>	Arm The System In STAY Mode 2
<b>1</b>	Horn Speaker Test
<b>2</b>	Bell Test
<b>3</b>	Strobe Test
<b>4</b>	Turning Day Alarm On and Off
<b>5</b>	Fault Analysis Mode
<b>6</b>	Initiate A Modem Call
<b>7</b>	Reset Latching Outputs
<b>8</b>	Codepad Beeper Tone Change
<b>9</b>	Initiate A Test Report

*Table 7: Hold Down Functions*

## Fault Analysis Mode

Whenever a system fault occurs, the FAULT or MAINS indicator will flash and the codepad will beep once every minute.



If the MAINS indicator is flashing, this is because the AC mains supply has been disconnected from the control panel. If the AC mains supply has been disconnected continuously for more than 2 minutes, the control panel will send a Contact ID Event Code 301 to the base station receiver and the codepad will commence beeping once every minute until the AC mains supply has been restored.

There is no need to determine this type of system fault. Pressing the **AWAY** button will acknowledge the AC mains fail and will stop the codepad beeping once every minute.

When the AC mains supply has been reconnected, the MAINS indicator will automatically stop flashing and return to its normal state. Once the AC mains supply has been connected continuously for two minutes, the control panel will send an AC mains fail restore report and the codepad will automatically stop its once a minute beep.

### How To Determine The Type Of System Fault

To determine all other system faults other than the AC mains supply, enter fault analysis mode by following the steps outlined below.

1. Hold down the **5** button until two beeps are heard. The FAULT indicator will remain steady and the STAY and AWAY indicators will flash in unison with each other.

The illuminated ZONE indicator(s) indicates the type of system fault that has occurred. Refer to "Table 8: Fault Indicators" below for the list of different system faults that may occur.

2. To exit fault analysis mode, press the **AWAY** button. The STAY and AWAY indicators will extinguish and the FAULT indicator will remain illuminated.

Zone Indicator	Fault Description
1	Low Battery
2	Date and Time
3	Sensor Watch <i>Hold Down Button 5 To Determine Which Zone</i>
4	Horn Speaker Disconnected
5	Telephone Line Fault
6	E <sup>2</sup> Fault
7	Zone 16 In Alarm – Partitioned Systems Only
8	Communications Failure <i>Hold Down Button 8 To Determine COMM Fail</i>

*Table 8: Fault Indicators*

### How To Acknowledge The System Fault

1. To acknowledge the system fault, press the **AWAY** button. The FAULT indicator will remain illuminated and the codepad will cease its once a minute beep.

## Testing The Dialler

Telephone monitor mode allows the remote codepad to be used for a visual representation of data transmissions between the control panel and the base station receiver. The dialling sequence is also shown in this mode.

The codepad will beep once every two seconds while telephone monitor mode is turned on regardless of whether the system is in Installer's Programming Mode or normal operating mode. The first five indicators are used to display the progressive steps for a transmission to the base station receiver.

Zone Indicator	Dialling Event
<b>1</b>	Telephone Line Seized
<b>2</b>	Dialling Phone Number
<b>3</b>	Handshake Received
<b>4</b>	Data Is Being Transmitted
<b>5</b>	Kiss-Off Received
<b>None</b>	Telephone Line Released

*Table 9: Telephone Monitor Mode Indications*

### *How To Turn Telephone Monitor Mode On and Test The Dialler*

1. Enter your **INSTALLER CODE** followed by **7** and the **AWAY** button. Three beeps will be heard.
2. Hold Down button **9** for two seconds until two beeps are heard to initiate a test report.

### *How To Turn Telephone Monitor Mode Off*

1. Enter your **INSTALLER CODE** followed by **7** and the **AWAY** button. Two beeps will be heard.




---

To test the on-board dialler, you will need to program Option 8 – Disable Safecom Communication Reporting in LOCATION 897 before you power down the system and re-apply the power for the on-board dialler to operate or have the base station perform a reframe of the Safecom System.

After you have successfully tested the reporting of the on-board dialler, you will need to disable Option 8 in LOCATION 897 and then power down the system or have the base station perform a reframe of the Safecom System.

---

Location 000 - 015

Primary Telephone Number

0	0	0	0	0	0	0	0	0	0	0	0	0	0	0	0	0
---	---	---	---	---	---	---	---	---	---	---	---	---	---	---	---	---

Location 016 - 031

Secondary Telephone Number

0	0	0	0	0	0	0	0	0	0	0	0	0	0	0	0	0
---	---	---	---	---	---	---	---	---	---	---	---	---	---	---	---	---

Location 032 - 047

Callback Telephone Number

0	0	0	0	0	0	0	0	0	0	0	0	0	0	0	0	0
---	---	---	---	---	---	---	---	---	---	---	---	---	---	---	---	---

Location 048

Dialling Format

- |                                     |                                       |
|-------------------------------------|---------------------------------------|
| 1 = Australian DTMF                 | 4 = International DTMF                |
| 2 = Australian Decadic              | 5 = Reversed Decadic                  |
| 3 = Alternate DTMF & Decadic (AUST) | 6 = Alternate DTMF & Reversed Decadic |

1
---

Location 049

Handshake Tone

- |                                   |                           |
|-----------------------------------|---------------------------|
| 1 = HI-LO Handshake (Contact ID)  | 4 = No Handshake Required |
| 2 = 1400 Hz (Ademco TX @ 1900 Hz) | 5 = Pager                 |
| 3 = 2300 Hz (Sescoa TX @ 1800 Hz) |                           |

1
---

Location 050

Transmission Format

- |                              |                            |                        |
|------------------------------|----------------------------|------------------------|
| 1 = Contact ID               | 6 = 4 + 1 Pulsed Expanded  | 11 = Domestic          |
| 2 = 4 + 2 Expressed          | 7 = 3 + 1 Pulsed Universal | 12 = Basic Pager       |
| 3 = 4 + 2 Pulsed             | 8 = 3 + 1 Pulsed Expanded  | 13 = Reserved          |
| 4 = 4 + 2 Pulsed + Checksum  | 9 = Reserved               | 14 = PET Alpha Pager   |
| 5 = 4 + 1 Pulsed + Universal | 10 = Reserved              | 15 = Synthesised Voice |

1
---

Location 051

Transmission Speed

- |                        |                            |
|------------------------|----------------------------|
| 1 = 1 Pulse / Second   | 4 = 20 Pulses / Second     |
| 2 = 10 Pulses / Second | 5 = 20 Pulses / Second FDL |
| 3 = 15 Pulses / Second | 6 = 40 Pulses / Second     |

2
---

Location 052 - 055

Subscriber ID Number

0	0	0	0
---	---	---	---

Location 056 - 062

Installer Code

1	2	3	4	15	15	15
---	---	---	---	----	----	----

Location 063

Ring Count

- |                                 |
|---------------------------------|
| 15 = Answering Machine Bypass 1 |
| 14 = Answering Machine Bypass 2 |

8
---

Location 064 - 319

User Codes

<p>User Code 3    Location 080 - 087</p> <table border="1"> <tr> <td>15</td><td>15</td><td>15</td><td>15</td><td>15</td><td>15</td><td>15</td><td>15</td><td>0</td> </tr> </table>	15	15	15	15	15	15	15	15	0	<p>User Code 4    Location 088 - 095</p> <table border="1"> <tr> <td>15</td><td>15</td><td>15</td><td>15</td><td>15</td><td>15</td><td>15</td><td>15</td><td>0</td> </tr> </table>	15	15	15	15	15	15	15	15	0	<p>User Code 5    Location 096 - 103</p> <table border="1"> <tr> <td>15</td><td>15</td><td>15</td><td>15</td><td>15</td><td>15</td><td>15</td><td>15</td><td>0</td> </tr> </table>	15	15	15	15	15	15	15	15	0
15	15	15	15	15	15	15	15	0																					
15	15	15	15	15	15	15	15	0																					
15	15	15	15	15	15	15	15	0																					
<p>User Code 6    Location 104 - 111</p> <table border="1"> <tr> <td>15</td><td>15</td><td>15</td><td>15</td><td>15</td><td>15</td><td>15</td><td>15</td><td>0</td> </tr> </table>	15	15	15	15	15	15	15	15	0	<p>User Code 7    Location 112 - 119</p> <table border="1"> <tr> <td>15</td><td>15</td><td>15</td><td>15</td><td>15</td><td>15</td><td>15</td><td>15</td><td>0</td> </tr> </table>	15	15	15	15	15	15	15	15	0	<p>User Code 8    Location 120 - 127</p> <table border="1"> <tr> <td>15</td><td>15</td><td>15</td><td>15</td><td>15</td><td>15</td><td>15</td><td>15</td><td>0</td> </tr> </table>	15	15	15	15	15	15	15	15	0
15	15	15	15	15	15	15	15	0																					
15	15	15	15	15	15	15	15	0																					
15	15	15	15	15	15	15	15	0																					
<p>User Code 9    Location 128 - 135</p> <table border="1"> <tr> <td>15</td><td>15</td><td>15</td><td>15</td><td>15</td><td>15</td><td>15</td><td>15</td><td>0</td> </tr> </table>	15	15	15	15	15	15	15	15	0	<p>User Code 10    Location 136 - 143</p> <table border="1"> <tr> <td>15</td><td>15</td><td>15</td><td>15</td><td>15</td><td>15</td><td>15</td><td>15</td><td>0</td> </tr> </table>	15	15	15	15	15	15	15	15	0	<p>User Code 11    Location 144 - 151</p> <table border="1"> <tr> <td>15</td><td>15</td><td>15</td><td>15</td><td>15</td><td>15</td><td>15</td><td>15</td><td>0</td> </tr> </table>	15	15	15	15	15	15	15	15	0
15	15	15	15	15	15	15	15	0																					
15	15	15	15	15	15	15	15	0																					
15	15	15	15	15	15	15	15	0																					
<p>User Code 12    Location 152 - 159</p> <table border="1"> <tr> <td>15</td><td>15</td><td>15</td><td>15</td><td>15</td><td>15</td><td>15</td><td>15</td><td>0</td> </tr> </table>	15	15	15	15	15	15	15	15	0	<p>User Code 13    Location 160 - 167</p> <table border="1"> <tr> <td>15</td><td>15</td><td>15</td><td>15</td><td>15</td><td>15</td><td>15</td><td>15</td><td>0</td> </tr> </table>	15	15	15	15	15	15	15	15	0	<p>User Code 14    Location 168 - 175</p> <table border="1"> <tr> <td>15</td><td>15</td><td>15</td><td>15</td><td>15</td><td>15</td><td>15</td><td>15</td><td>0</td> </tr> </table>	15	15	15	15	15	15	15	15	0
15	15	15	15	15	15	15	15	0																					
15	15	15	15	15	15	15	15	0																					
15	15	15	15	15	15	15	15	0																					
<p>User Code 15    Location 176 - 183</p> <table border="1"> <tr> <td>15</td><td>15</td><td>15</td><td>15</td><td>15</td><td>15</td><td>15</td><td>15</td><td>0</td> </tr> </table>	15	15	15	15	15	15	15	15	0	<p>User Code 16    Location 184 - 191</p> <table border="1"> <tr> <td>15</td><td>15</td><td>15</td><td>15</td><td>15</td><td>15</td><td>15</td><td>15</td><td>0</td> </tr> </table>	15	15	15	15	15	15	15	15	0	<p>User Code 17    Location 192 - 199</p> <table border="1"> <tr> <td>15</td><td>15</td><td>15</td><td>15</td><td>15</td><td>15</td><td>15</td><td>15</td><td>0</td> </tr> </table>	15	15	15	15	15	15	15	15	0
15	15	15	15	15	15	15	15	0																					
15	15	15	15	15	15	15	15	0																					
15	15	15	15	15	15	15	15	0																					
<p>User Code 18    Location 200 - 207</p> <table border="1"> <tr> <td>15</td><td>15</td><td>15</td><td>15</td><td>15</td><td>15</td><td>15</td><td>15</td><td>0</td> </tr> </table>	15	15	15	15	15	15	15	15	0	<p>User Code 19    Location 208 - 215</p> <table border="1"> <tr> <td>15</td><td>15</td><td>15</td><td>15</td><td>15</td><td>15</td><td>15</td><td>15</td><td>0</td> </tr> </table>	15	15	15	15	15	15	15	15	0	<p>User Code 20    Location 216 - 223</p> <table border="1"> <tr> <td>15</td><td>15</td><td>15</td><td>15</td><td>15</td><td>15</td><td>15</td><td>15</td><td>0</td> </tr> </table>	15	15	15	15	15	15	15	15	0
15	15	15	15	15	15	15	15	0																					
15	15	15	15	15	15	15	15	0																					
15	15	15	15	15	15	15	15	0																					
<p>User Code 21    Location 224 - 231</p> <table border="1"> <tr> <td>15</td><td>15</td><td>15</td><td>15</td><td>15</td><td>15</td><td>15</td><td>15</td><td>0</td> </tr> </table>	15	15	15	15	15	15	15	15	0	<p>User Code 22    Location 232 - 239</p> <table border="1"> <tr> <td>15</td><td>15</td><td>15</td><td>15</td><td>15</td><td>15</td><td>15</td><td>15</td><td>0</td> </tr> </table>	15	15	15	15	15	15	15	15	0	<p>User Code 23    Location 240 - 247</p> <table border="1"> <tr> <td>15</td><td>15</td><td>15</td><td>15</td><td>15</td><td>15</td><td>15</td><td>15</td><td>0</td> </tr> </table>	15	15	15	15	15	15	15	15	0
15	15	15	15	15	15	15	15	0																					
15	15	15	15	15	15	15	15	0																					
15	15	15	15	15	15	15	15	0																					

User Code 24 Location 248 - 255  

15	15	15	15	15	15	15	15	0
----	----	----	----	----	----	----	----	---

User Code 25 Location 256 - 263  

15	15	15	15	15	15	15	15	0
----	----	----	----	----	----	----	----	---

User Code 26 Location 264 - 271  

15	15	15	15	15	15	15	15	0
----	----	----	----	----	----	----	----	---

User Code 27 Location 272 - 279  

15	15	15	15	15	15	15	15	0
----	----	----	----	----	----	----	----	---

User Code 28 Location 280 - 287  

15	15	15	15	15	15	15	15	0
----	----	----	----	----	----	----	----	---

User Code 29 Location 288 - 295  

15	15	15	15	15	15	15	15	0
----	----	----	----	----	----	----	----	---

User Code 30 Location 296 - 303  

15	15	15	15	15	15	15	15	0
----	----	----	----	----	----	----	----	---

User Code 31 Location 304 - 311  

15	15	15	15	15	15	15	15	0
----	----	----	----	----	----	----	----	---

User Code 32 Location 312 - 319  

0	15	15	15	15	15	15	15	1
---	----	----	----	----	----	----	----	---

Location 320 - 327  
 Auxiliary Code 1

15	15	15	15	15	15	15	15	2
----	----	----	----	----	----	----	----	---

Location 328 - 335  
 Auxiliary Code 2

15	15	15	15	15	15	15	15	2
----	----	----	----	----	----	----	----	---

Location 336 - 337  
 Day Alarm Mask

<p><b>Location 336</b></p> <p>1 = Zone 1                  2 = Zone 2                  4 = Zone 3                  8 = Zone 4</p>	<p><b>Location 337</b></p> <p>1 = Zone 5                  2 = Zone 6                  4 = Zone 7                  8 = Zone 8</p>
--	--

1	0
---	---

Location 338  
 Code Retries

6
---

Location 339  
 EOL Resistor Value

1 = 1K	5 = 3K9	9 = 10K	13 = Reserved
2 = 1K5	6 = 4K7	10 = 12K	14 = Reserved
3 = 2K2	7 = 5K6	11 = 22K	15 = Split EOL (3K3/6K8)
4 = 3K3	8 = 6K8	12 = Reserved	For 16 Zone Operation

4
---

Location 340 - 467  
 Zones

<p><b>Zone 1</b> Location 340 - 347</p> <table border="1" style="display: inline-table; border-collapse: collapse;"> <tr> <td>2</td><td>0</td><td>0</td><td>0</td><td>1</td><td>3</td><td>0</td><td>1</td> </tr> </table>	2	0	0	0	1	3	0	1	<p><b>Zone 2</b> Location 348 - 355</p> <table border="1" style="display: inline-table; border-collapse: collapse;"> <tr> <td>1</td><td>0</td><td>0</td><td>0</td><td>1</td><td>3</td><td>0</td><td>1</td> </tr> </table>	1	0	0	0	1	3	0	1									
2	0	0	0	1	3	0	1																			
1	0	0	0	1	3	0	1																			
<p><b>Zone 3</b> Location 356 - 363</p> <table border="1" style="display: inline-table; border-collapse: collapse;"> <tr> <td>1</td><td>0</td><td>0</td><td>0</td><td>1</td><td>3</td><td>0</td><td>1</td> </tr> </table>	1	0	0	0	1	3	0	1	<p><b>Zone 4</b> Location 364 - 371</p> <table border="1" style="display: inline-table; border-collapse: collapse;"> <tr> <td>1</td><td>0</td><td>0</td><td>0</td><td>1</td><td>3</td><td>0</td><td>1</td> </tr> </table>	1	0	0	0	1	3	0	1	<p><b>Zone 5</b> Location 372 - 379</p> <table border="1" style="display: inline-table; border-collapse: collapse;"> <tr> <td>1</td><td>0</td><td>0</td><td>0</td><td>1</td><td>3</td><td>0</td><td>1</td> </tr> </table>	1	0	0	0	1	3	0	1
1	0	0	0	1	3	0	1																			
1	0	0	0	1	3	0	1																			
1	0	0	0	1	3	0	1																			
<p><b>Zone 6</b> Location 380 - 387</p> <table border="1" style="display: inline-table; border-collapse: collapse;"> <tr> <td>0</td><td>0</td><td>0</td><td>0</td><td>1</td><td>3</td><td>0</td><td>1</td> </tr> </table>	0	0	0	0	1	3	0	1	<p><b>Zone 7</b> Location 388 - 395</p> <table border="1" style="display: inline-table; border-collapse: collapse;"> <tr> <td>0</td><td>0</td><td>0</td><td>0</td><td>1</td><td>3</td><td>0</td><td>1</td> </tr> </table>	0	0	0	0	1	3	0	1	<p><b>Zone 8</b> Location 396 - 403</p> <table border="1" style="display: inline-table; border-collapse: collapse;"> <tr> <td>12</td><td>0</td><td>0</td><td>0</td><td>1</td><td>3</td><td>3</td><td>1</td> </tr> </table>	12	0	0	0	1	3	3	1
0	0	0	0	1	3	0	1																			
0	0	0	0	1	3	0	1																			
12	0	0	0	1	3	3	1																			
<p><b>Zone 9</b> Location 404 - 411</p> <table border="1" style="display: inline-table; border-collapse: collapse;"> <tr> <td>0</td><td>0</td><td>0</td><td>0</td><td>1</td><td>3</td><td>0</td><td>1</td> </tr> </table>	0	0	0	0	1	3	0	1	<p><b>Zone 10</b> Location 412 - 419</p> <table border="1" style="display: inline-table; border-collapse: collapse;"> <tr> <td>0</td><td>0</td><td>0</td><td>0</td><td>1</td><td>3</td><td>0</td><td>1</td> </tr> </table>	0	0	0	0	1	3	0	1	<p><b>Zone 11</b> Location 420 - 427</p> <table border="1" style="display: inline-table; border-collapse: collapse;"> <tr> <td>0</td><td>0</td><td>0</td><td>0</td><td>1</td><td>3</td><td>0</td><td>1</td> </tr> </table>	0	0	0	0	1	3	0	1
0	0	0	0	1	3	0	1																			
0	0	0	0	1	3	0	1																			
0	0	0	0	1	3	0	1																			
<p><b>Zone 12</b> Location 428 - 435</p> <table border="1" style="display: inline-table; border-collapse: collapse;"> <tr> <td>0</td><td>0</td><td>0</td><td>0</td><td>1</td><td>3</td><td>0</td><td>1</td> </tr> </table>	0	0	0	0	1	3	0	1	<p><b>Zone 13</b> Location 436 - 443</p> <table border="1" style="display: inline-table; border-collapse: collapse;"> <tr> <td>0</td><td>0</td><td>0</td><td>0</td><td>1</td><td>3</td><td>0</td><td>1</td> </tr> </table>	0	0	0	0	1	3	0	1	<p><b>Zone 14</b> Location 444 - 451</p> <table border="1" style="display: inline-table; border-collapse: collapse;"> <tr> <td>0</td><td>0</td><td>0</td><td>0</td><td>1</td><td>3</td><td>0</td><td>1</td> </tr> </table>	0	0	0	0	1	3	0	1
0	0	0	0	1	3	0	1																			
0	0	0	0	1	3	0	1																			
0	0	0	0	1	3	0	1																			
<p><b>Zone 15</b> Location 452 - 459</p> <table border="1" style="display: inline-table; border-collapse: collapse;"> <tr> <td>0</td><td>0</td><td>0</td><td>0</td><td>1</td><td>3</td><td>0</td><td>1</td> </tr> </table>	0	0	0	0	1	3	0	1	<p><b>Zone 16</b> Location 460 - 467</p> <table border="1" style="display: inline-table; border-collapse: collapse;"> <tr> <td>0</td><td>0</td><td>0</td><td>0</td><td>1</td><td>3</td><td>0</td><td>1</td> </tr> </table>	0	0	0	0	1	3	0	1									
0	0	0	0	1	3	0	1																			
0	0	0	0	1	3	0	1																			

<input type="checkbox"/>	<input type="checkbox"/>	<input type="checkbox"/>	<input type="checkbox"/>	<input type="checkbox"/>	<input type="checkbox"/>	<input type="checkbox"/>	<input type="checkbox"/>
Zone Type	Zone Option	Zone Pulse Count	Zone Pulse Count Time	Event Code Hundreds Digit	Event Code Tens Digit	Event Code Units Digit	Dialler Channel

Each zone contains eight locations, which are divided into two groups of four. The first four locations determine how the zone operates, while the second four locations contain the dialler reporting information.

### Zone Types

There are fifteen different zone types to choose from. Each zone can be programmed as any of the zone types listed in the table below.

Zone Type	Description	Zone Type	Description
0	Instant	8	Delay-1 + Isolated In STAY Mode 1
1	Handover	9	Delay-2 + Isolated In STAY Mode 1
2	Delay-1	10	Delay-3 + Isolated In STAY Mode 1
3	Delay-2	11	Delay 4 + Isolated In STAY Mode 1
4	Delay-3	12	24 Hour Burglary
5	Delay-4	13	24 Hour Fire
6	Instant + Isolated In STAY Mode 1	14	Chime Only
7	Handover + Isolated In STAY Mode 1	15	Zone Not Used

### Zone Options

Zone Option	Description
1	Lockout Siren
2	Lockout Dialler
4	Silent Alarm
8	Sensor Watch

### Zone Pulse Count Settings

The pulse count settings for each zone can be programmed between 0 - 15.

### Zone Pulse Count Time

Zone pulse count time is the time frame or period over which the number of pulses must register.

20 ms Loop Response Time Zone Pulse Count Time		150 ms Loop Response Time Zone Pulse Count Time	
0	0.5 Second	8	20 Seconds
1	1 Second	9	30 Seconds
2	2 Seconds	10	40 Seconds
3	3 Seconds	11	50 Seconds
4	4 Seconds	12	60 Seconds
5	5 Seconds	13	90 Seconds
6	10 Seconds	14	120 Seconds
7	15 Seconds	15	200 Seconds

### Zone Descriptions

Use this table as a reference to indicate what each zone is connected to.

Zone	Description	Zone	Description
1		9	
2		10	
3		11	
4		12	
5		13	
6		14	
7		15	
8		16	

Location 468 - 469

Bypass Codes (Zones 1 To 8)

9	9
---	---

Location 470 - 471

Bypass Codes (Zones 9 To 16)

9	9
---	---

Location 472 - 473

Trouble Codes (Zones 1 To 8)

9	9
---	---

Location 474 - 475

Trouble Codes (Zones 9 - 16)

9	9
---	---

Location 476 - 479

Codepad Duress

Hundreds / Tens / Units / Dialler Channel

1	2	1	1
---	---	---	---

Location 480 - 483 Codepad Panic	Hundreds / Tens / Units / Dialler Channel	<table border="1"><tr><td>1</td><td>2</td><td>0</td><td>1</td></tr></table>	1	2	0	1																																																																													
1	2	0	1																																																																																
Location 484 - 487 Access Denied (Code Retries)	Hundreds / Tens / Units / Dialler Channel	<table border="1"><tr><td>4</td><td>2</td><td>1</td><td>1</td></tr></table>	4	2	1	1																																																																													
4	2	1	1																																																																																
Location 488 - 491 AC Fail	Hundreds / Tens / Units / Dialler Channel	<table border="1"><tr><td>3</td><td>0</td><td>1</td><td>1</td></tr></table>	3	0	1	1																																																																													
3	0	1	1																																																																																
Location 492 - 495 Low Battery	Hundreds / Tens / Units / Dialler Channel	<table border="1"><tr><td>3</td><td>0</td><td>9</td><td>1</td></tr></table>	3	0	9	1																																																																													
3	0	9	1																																																																																
Location 496 - 499 Program Altered Code	Hundreds / Tens / Units / Dialler Channel	<table border="1"><tr><td>3</td><td>0</td><td>6</td><td>0</td></tr></table>	3	0	6	0																																																																													
3	0	6	0																																																																																
Location 500 - 503 Sensor Trouble (Sensor Watch)	Hundreds / Tens / Units / Dialler Channel	<table border="1"><tr><td>3</td><td>0</td><td>7</td><td>1</td></tr></table>	3	0	7	1																																																																													
3	0	7	1																																																																																
Location 504 - 505 Open/Close		<table border="1"><tr><td>8</td><td>9</td></tr></table>	8	9																																																																															
8	9																																																																																		
Location 506 - 513 Test Reporting Time	Location 506 Hour Of The Day (Tens Digit) Location 507 Hour Of The Day (Units Digit) Location 508 Minute Of The Day (Tens Digit) Location 509 Minute Of The Day (Units Digit) Location 510 Repeat Interval (Tens Digit) Location 511 Repeat Interval (Units Digit) Location 512 Expansion Digit Location 513 Test Report Options	<table border="1"><tr><td>0</td><td>0</td><td>0</td><td>0</td><td>0</td><td>0</td><td>9</td><td>0</td></tr></table>	0	0	0	0	0	0	9	0																																																																									
0	0	0	0	0	0	9	0																																																																												
Location 514 - 529 Pager Network Password		<table border="1"><tr><td>7</td><td>0</td><td>6</td><td>1</td><td>7</td><td>3</td><td>7</td><td>3</td><td>7</td><td>7</td><td>6</td><td>4</td><td>0</td><td>0</td><td>0</td><td>0</td></tr></table>	7	0	6	1	7	3	7	3	7	7	6	4	0	0	0	0																																																																	
7	0	6	1	7	3	7	3	7	7	6	4	0	0	0	0																																																																				
Location 530 - 539 Pager ID Number		<table border="1"><tr><td>0</td><td>0</td><td>0</td><td>0</td><td>0</td><td>0</td><td>0</td><td>0</td><td>0</td><td>0</td><td>0</td><td>0</td></tr></table>	0	0	0	0	0	0	0	0	0	0	0	0																																																																					
0	0	0	0	0	0	0	0	0	0	0	0																																																																								
Location 540 - 623 Output Configurations		<table border="1"> <tr> <td></td> <td>Location 540 - 545</td> <td>Location 546 - 551</td> </tr> <tr> <td>Output 1</td> <td><table border="1"><tr><td>0</td><td>0</td><td>0</td><td>0</td><td>0</td><td>0</td></tr></table></td> <td>Output 2 <table border="1"><tr><td>0</td><td>0</td><td>0</td><td>0</td><td>0</td><td>0</td></tr></table></td> </tr> <tr> <td>Output 3</td> <td>Location 552 - 557 <table border="1"><tr><td>0</td><td>1</td><td>10</td><td>2</td><td>0</td><td>3</td></tr></table></td> <td>Strobe</td> </tr> <tr> <td></td> <td>Location 558 - 563</td> <td>Location 564 - 569</td> </tr> <tr> <td>Codepad</td> <td>Location 570 - 575 <table border="1"><tr><td>0</td><td>12</td><td>2</td><td>1</td><td>0</td><td>1</td></tr></table></td> <td>Relay</td> </tr> <tr> <td></td> <td>Location 576 - 581</td> <td>Location 582 - 587</td> </tr> <tr> <td>Output 9</td> <td>Location 588 - 593 <table border="1"><tr><td>5</td><td>3</td><td>6</td><td>3</td><td>1</td><td>0</td></tr></table></td> <td>Output 7</td> </tr> <tr> <td></td> <td>Location 594 - 599</td> <td>Location 600 - 605</td> </tr> <tr> <td>Output 12</td> <td>Location 606 - 611 <table border="1"><tr><td>5</td><td>4</td><td>6</td><td>3</td><td>6</td><td>0</td></tr></table></td> <td>Output 8</td> </tr> <tr> <td></td> <td>Location 612 - 617</td> <td>Location 618 - 623</td> </tr> <tr> <td>Output 13</td> <td>Location 624 - 625 <table border="1"><tr><td>5</td><td>5</td><td>6</td><td>3</td><td>1</td><td>0</td></tr></table></td> <td>Output 10</td> </tr> <tr> <td></td> <td></td> <td>Location 626 - 627</td> </tr> <tr> <td>Output 14</td> <td></td> <td>Location 628 - 629</td> </tr> </table>		Location 540 - 545	Location 546 - 551	Output 1	<table border="1"><tr><td>0</td><td>0</td><td>0</td><td>0</td><td>0</td><td>0</td></tr></table>	0	0	0	0	0	0	Output 2 <table border="1"><tr><td>0</td><td>0</td><td>0</td><td>0</td><td>0</td><td>0</td></tr></table>	0	0	0	0	0	0	Output 3	Location 552 - 557 <table border="1"><tr><td>0</td><td>1</td><td>10</td><td>2</td><td>0</td><td>3</td></tr></table>	0	1	10	2	0	3	Strobe		Location 558 - 563	Location 564 - 569	Codepad	Location 570 - 575 <table border="1"><tr><td>0</td><td>12</td><td>2</td><td>1</td><td>0</td><td>1</td></tr></table>	0	12	2	1	0	1	Relay		Location 576 - 581	Location 582 - 587	Output 9	Location 588 - 593 <table border="1"><tr><td>5</td><td>3</td><td>6</td><td>3</td><td>1</td><td>0</td></tr></table>	5	3	6	3	1	0	Output 7		Location 594 - 599	Location 600 - 605	Output 12	Location 606 - 611 <table border="1"><tr><td>5</td><td>4</td><td>6</td><td>3</td><td>6</td><td>0</td></tr></table>	5	4	6	3	6	0	Output 8		Location 612 - 617	Location 618 - 623	Output 13	Location 624 - 625 <table border="1"><tr><td>5</td><td>5</td><td>6</td><td>3</td><td>1</td><td>0</td></tr></table>	5	5	6	3	1	0	Output 10			Location 626 - 627	Output 14		Location 628 - 629
	Location 540 - 545	Location 546 - 551																																																																																	
Output 1	<table border="1"><tr><td>0</td><td>0</td><td>0</td><td>0</td><td>0</td><td>0</td></tr></table>	0	0	0	0	0	0	Output 2 <table border="1"><tr><td>0</td><td>0</td><td>0</td><td>0</td><td>0</td><td>0</td></tr></table>	0	0	0	0	0	0																																																																					
0	0	0	0	0	0																																																																														
0	0	0	0	0	0																																																																														
Output 3	Location 552 - 557 <table border="1"><tr><td>0</td><td>1</td><td>10</td><td>2</td><td>0</td><td>3</td></tr></table>	0	1	10	2	0	3	Strobe																																																																											
0	1	10	2	0	3																																																																														
	Location 558 - 563	Location 564 - 569																																																																																	
Codepad	Location 570 - 575 <table border="1"><tr><td>0</td><td>12</td><td>2</td><td>1</td><td>0</td><td>1</td></tr></table>	0	12	2	1	0	1	Relay																																																																											
0	12	2	1	0	1																																																																														
	Location 576 - 581	Location 582 - 587																																																																																	
Output 9	Location 588 - 593 <table border="1"><tr><td>5</td><td>3</td><td>6</td><td>3</td><td>1</td><td>0</td></tr></table>	5	3	6	3	1	0	Output 7																																																																											
5	3	6	3	1	0																																																																														
	Location 594 - 599	Location 600 - 605																																																																																	
Output 12	Location 606 - 611 <table border="1"><tr><td>5</td><td>4</td><td>6</td><td>3</td><td>6</td><td>0</td></tr></table>	5	4	6	3	6	0	Output 8																																																																											
5	4	6	3	6	0																																																																														
	Location 612 - 617	Location 618 - 623																																																																																	
Output 13	Location 624 - 625 <table border="1"><tr><td>5</td><td>5</td><td>6</td><td>3</td><td>1</td><td>0</td></tr></table>	5	5	6	3	1	0	Output 10																																																																											
5	5	6	3	1	0																																																																														
		Location 626 - 627																																																																																	
Output 14		Location 628 - 629																																																																																	
Location 624 - 625 Entry Timer 1	Location 624 Location 625	Increments Of 1 Second (0 - 15 Sec's) Increments Of 16 Seconds (0 - 240 Sec's)	<table border="1"><tr><td>10</td><td>0</td></tr></table>	10	0																																																																														
10	0																																																																																		
Location 626 - 627 Entry Timer 2	Location 626 Location 627	Increments Of 1 Second (0 - 15 Sec's) Increments Of 16 Seconds (0 - 240 Sec's)	<table border="1"><tr><td>4</td><td>1</td></tr></table>	4	1																																																																														
4	1																																																																																		
Location 628 - 629 Entry Timer 3	Location 628 Location 629	Increments Of 1 Second (0 - 15 Sec's) Increments Of 16 Seconds (0 - 240 Sec's)	<table border="1"><tr><td>14</td><td>1</td></tr></table>	14	1																																																																														
14	1																																																																																		
Location 630 - 631 Entry Timer 4	Location 630 Location 631	Increments Of 1 Second (0 - 15 Sec's) Increments Of 16 Seconds (0 - 240 Sec's)	<table border="1"><tr><td>8</td><td>2</td></tr></table>	8	2																																																																														
8	2																																																																																		

Location 632 - 633 Exit Time For AWAY Mode	Location 632 Location 633	Increments Of 1 Second (0 - 15 Sec's) Increments Of 16 Seconds (0 - 240 Sec's)	12 3
Location 634 - 635 Exit Time For STAY Mode 1	Location 634 Location 635	Increments Of 1 Second (0 - 15 Sec's) Increments Of 16 Seconds (0 - 240 Sec's)	12 3
Location 636 - 637 Exit Time For STAY Mode 2	Location 636 Location 637	Increments Of 1 Second (0 - 15 Sec's) Increments Of 16 Seconds (0 - 240 Sec's)	12 3
Location 638 - 639 Entry Guard Time For STAY Mode	Location 638 Location 639	Increments Of 1 Second (0 - 15 Sec's) Increments Of 16 Seconds (0 - 240 Sec's)	12 3
Location 640 - 641 Codepad Lockout Time	Location 640 Location 641	Increments Of 1 Second (0 - 15 Sec's) Increments Of 16 Seconds (0 - 240 Sec's)	0 0
Location 642 - 643 Sensor Watch Time	Location 642 Location 643	Increments Of Days (Tens Digit) Increments Of Days (Units Digit)	0 0
Location 644 - 649 System Date	Location 644 Location 645 Location 646 Location 647 Location 648 Location 649	Day Of The Month (Tens Digit) Day Of The Month (Units Digit) Month Of The Year (Tens Digit) Month Of The Year (Units Digit) Current Year (Tens Digit) Current Year (Units Digit)	0 1 0 1 9 5
Location 650 - 653 Auto Arming Time	Location 650 Location 651 Location 652 Location 653	Hour Of The Day (Tens Digit) Hour Of The Day (Units Digit) Minute Of The Day (Tens Digit) Minute Of The Day (Units Digit)	0 0 0 0
Location 654 Pre Arming Alert Time	Location 654	Increments Of Minutes (0 - 15 Min's)	5
Location 655 Pre Alert Time For Timed Output	Location 655	Increments Of Minutes (0 - 15 Min's)	5
Location 656 - 659 Auto Operation Of The Timed	Location 656 Location 657 Location 658 Location 659	Hour Of The Day (Tens Digit) Hour Of The Day (Units Digit) Minute Of The Day (Tens Digit) Minute Of The Day (Units Digit)	Output 0 0 0 0
Location 660 Siren Run Time	Location 660	Increments Of Minutes (0 - 15 Min's)	10
Location 661 Siren Sound Rate (Slow <-Sound-> Fast)			7
Location 662 (New - Software Version 1.40) Swinger Shutdown Count For Siren			0
Location 663 Dialler Options 1	1 = Enable Dialler Reporting Functions 2 = Enable Remote Arming Via The Telephone 4 = Enable Upload/Download Via Alarm Link 8 = Terminate "Alarm Link" Session On Alarm		5
Location 664 Dialler Options 2	1 = Send Open/Close Reports Only If A Previous Alarm Has Occurred 2 = Enable First To Open/Last To Close Reporting (Partitioned Systems Only) 4 = Send Open/Close Reports When In STAY Mode 8 = Enable Answering Machine Bypass Only When System Is Armed		0
Location 665 System Options 1	1 = Enable Forced Arming 2 = Enable EDM Smart Lockout 4 = Enable Monitoring Of Horn Speaker 8 = Enable Horn Speaker Beeps For Remote Control Operation		1



Location 666 System Options 2	1 = Enable Radio Key/Keypad Interface or Night Arm Station 2 = Enable Handover Delay To Be Sequential 4 = Enable Codepad Panic To Be Silent 8 = Enable Codepad Tamper To Be Silent	2
Location 667 System Options 3	1 = Enable The Main Codepad To Display Data For Area #1 2 = Enable External Modem Module For Alarm Link Operation 4 = Enabled = AC Fail In One Hour, Disabled = AC Fail In Two Minutes 8 = Enable Pulse Count Handover	0
Location 668 System Options 4	1 = Delay Siren Until Transmission Is Complete 2 = Enable Resetting Of Sirens From All Areas (Partitioned Systems Only) 4 = Ignore AC Mains Fail 8 = Enable Auto Arming In STAY Mode	0
Location 669 Consumer Options 1	1 = Enable The STAY LED To Display Day Alarm ON/OFF State 2 = Enable Operation Of Sirens & Strobe In STAY Mode 4 = Partitioned Codepad - AUX LED To Display Telephone Line In Use 8 = Enable Codepad Extinguish Mode	2
Location 670 Consumer Options 2	1 = Enable "User Code + 0 + AWAY" Function To Arm/Disarm All Areas 2 = Enable Single Button Arming In AWAY, STAY Mode 1 and STAY Mode 2 4 = Enable Single Button Disarming From STAY Mode 1 and STAY Mode 2 8 = Enable Alarm Memory Reset On Disarm	2
Location 671 Reserved		0
Location 672 Expansion Board Type	1 = Eight Zone Expansion Board 2 = Eight Channel Output Board 3 = Momentary Keypad Input 4 = Latching Keypad Input 5 = Momentary Arm Only In AWAY Mode 6 = Momentary Arm Only In STAY Mode 7 = Momentary Arm Only In STAY Mode 2 8 = Momentary Disarm Only 9 = Momentary Arm Only Area 4 10 = Momentary Disarm Area 4 11 = Momentary Arm/Disarm Area 4 12 = Latching Arm/Disarm Area 4	0
Location 673 Telephone Line Fault Options	1 = Operate The FAULT Indicator When Telephone Line Fails 2 = Sound Speaker, Bell & Strobe When System Is Armed 4 = Sound Speaker, Bell & Strobe When System Is Disarmed Note: Options 2 and 4 Must Be Used In Conjunction With Option 1 (EG: Program a 1, 3 or 5)	0
Location 674 - 675 Open/Close Code For Area 2		0 0
Location 676 - 677 Open/Close Code For Area 3		0 0
Location 678 - 679 Open/Close Code For Area 4		0 0
Location 680 - 683 Subscriber ID Number For Area 2		0 0 0 0
Location 684 - 687 Subscriber ID Number For Area 3		0 0 0 0
Location 688 - 691 Subscriber ID Number For Area 4		0 0 0 0
Location 692 - 699 Zone Allocations For Area 1		0 0 0 0 0 0 0 0 0 0
Location 700 - 707 Zone Allocations For Area 2		0 0 0 0 0 0 0 0 0 0
Location 708 - 715 Zone Allocations For Area 3		0 0 0 0 0 0 0 0 0 0

Location 716 - 723  
Zone Allocations Fore Area 4

0	0	0	0	0	0	0	0	0
---	---	---	---	---	---	---	---	---

Location 724 - 755  
User Code Allocations

Location 724 Areas For User #1	Location 725 Areas For User #2	Location 726 Areas For User #3	Location 727 Areas For User #4
Location 728 Areas For User #5	Location 729 Areas For User #6	Location 730 Areas For User #7	Location 731 Areas For User #8
Location 732 Areas For User #9	Location 733 Areas For User #10	Location 734 Areas For User #11	Location 735 Areas For User #12
Location 736 Areas For User #13	Location 737 Areas For User #14	Location 738 Areas For User #15	Location 739 Areas For User #16
Location 740 Areas For User #17	Location 741 Areas For User #18	Location 742 Areas For User #19	Location 743 Areas For User #20
Location 744 Areas For User #21	Location 745 Areas For User #22	Location 746 Areas For User #23	Location 747 Areas For User #24
Location 748 Areas For User #25	Location 749 Areas For User #26	Location 750 Areas For User #27	Location 751 Areas For User #28
Location 752 Areas For User #29	Location 753 Areas For User #30	Location 754 Areas For User #31	Location 755 Areas For User #32

Location 756  
Printer Output Baud Rate

- 1 = 300 Baud
- 2 = 600 Baud
- 4 = 1200 Baud
- 8 = 2400 Baud

2
---

Location 757  
Swinger Shutdown Count For Dialler

0
---

Location 760 - 763

RF Fail

Location 760 Event Code – Hundreds Digit  
 Location 761 Event Code – Tens Digit  
 Location 762 Event Code – Units Digit  
 Location 763 Dialler Channel (Point ID = 30 Hex – 48 Decimal)

3	5	3	1
---	---	---	---

Location 764 - 767

Telco Fail

Location 764 Event Code – Hundreds Digit  
 Location 765 Event Code – Tens Digit  
 Location 766 Event Code – Units Digit  
 Location 767 Dialler Channel (Point ID = 31 Hex – 49 Decimal)

3	5	1	1
---	---	---	---

Location 768 - 771

RF Jamming Report

Location 768 Event Code – Hundreds Digit  
 Location 769 Event Code – Tens Digit  
 Location 770 Event Code – Units Digit  
 Location 771 Dialler Channel (Point ID = 32 Hex – 50 Decimal)

3	4	4	1
---	---	---	---

Location 772

RF Jamming Delay

Location 772 Increments Of Minutes (0 – 15 Min's)

0
---

Location 896

Safecom Option

- 1 = Disable Safecom Communication Reporting
- 2 = Enable Remote Arming from ST1000 Base
- 4 = Enable Remote Disarming via ST1000 Base
- 8 = Reserved

6
---

Location 897

System Options 5

- 1 = Enable - Send "Test" Report After Siren Reset
- 2 = Enable Control Panel To Power Up In Disarmed State
- 4 = Enable Internal Crystal To Keep
- 8 =

0

Location 898

System Options 6

- 1 = Enable Busy Tone Detection For Domestic Dialling
- 2 = Enable "Kiss-Off" Detection For Domestic Dialling
- 4 = Extend Acknowledge Tone Detection From 30 - 60 Seconds
- 8 = If Battery Has Failed, Enable Dynamic Battery Test Only On Arming

3

Location 900

Disable Factory Default

- 0 = Defaulting Enabled
- 15 = Defaulting Disabled

0

Location 901 - 904

System Time

- Location 901 Hour Of The Day (Tens Digit)
- Location 902 Hour Of The Day (Units Digit)
- Location 903 Minute Of The Day (Tens Digit)
- Location 904 Minute Of The Day (Units Digit)

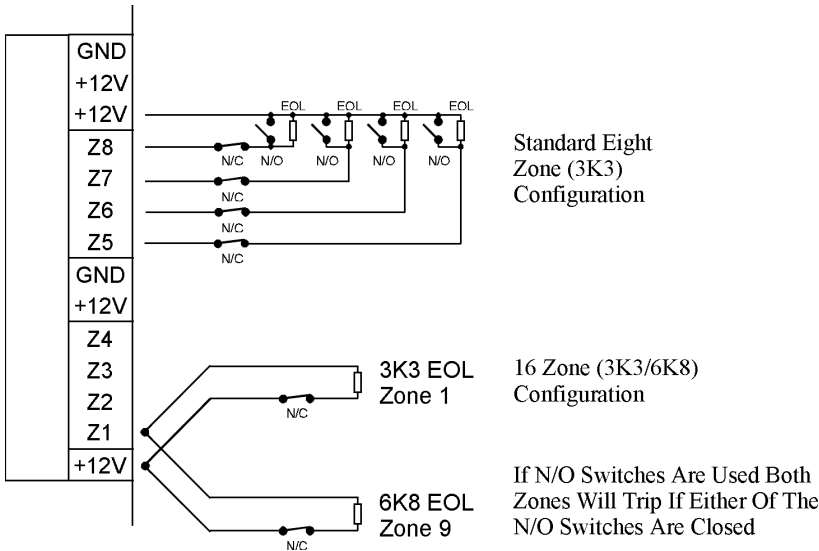
0 0 0 0

Location 920 - 927

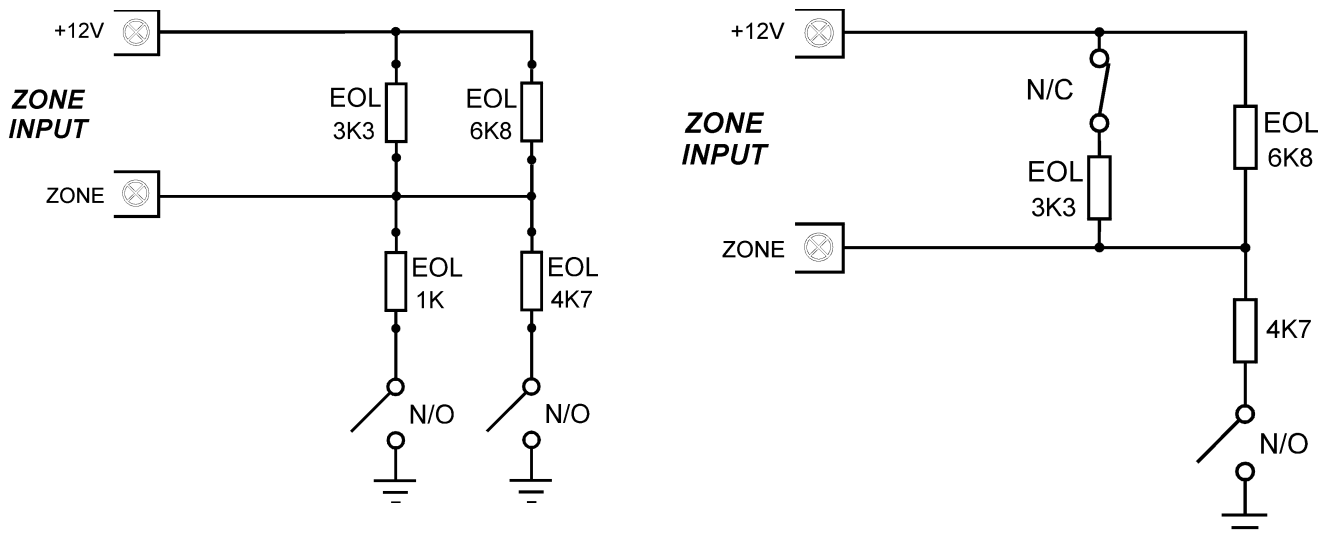
Serial Number

0 0 0 0 0 0 0 0

Connections For Split EOL Resistors For 16 Zone Operation

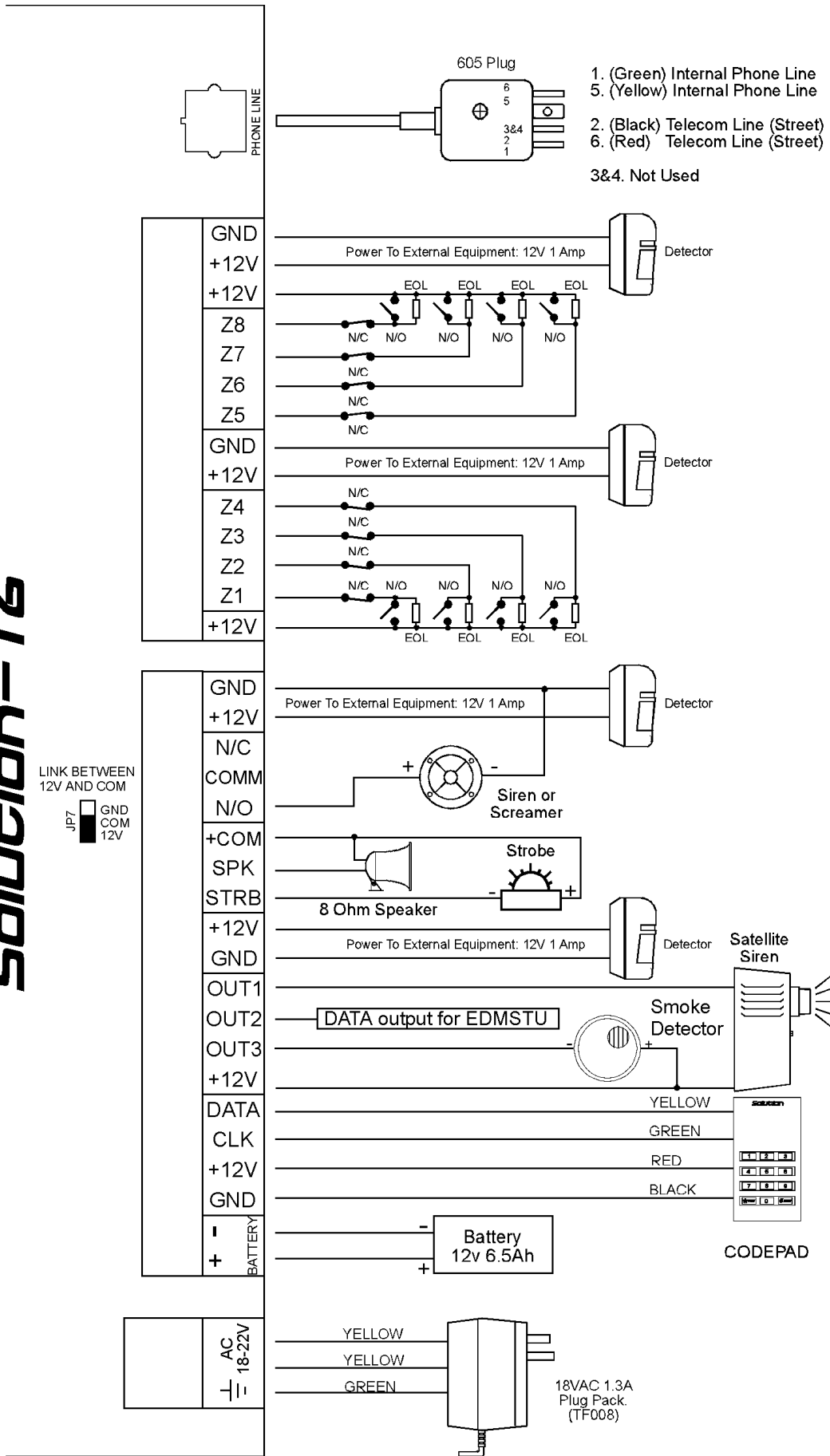


Connections For Split EOL Resistors For 16 Zone Operation Using N/O Contacts

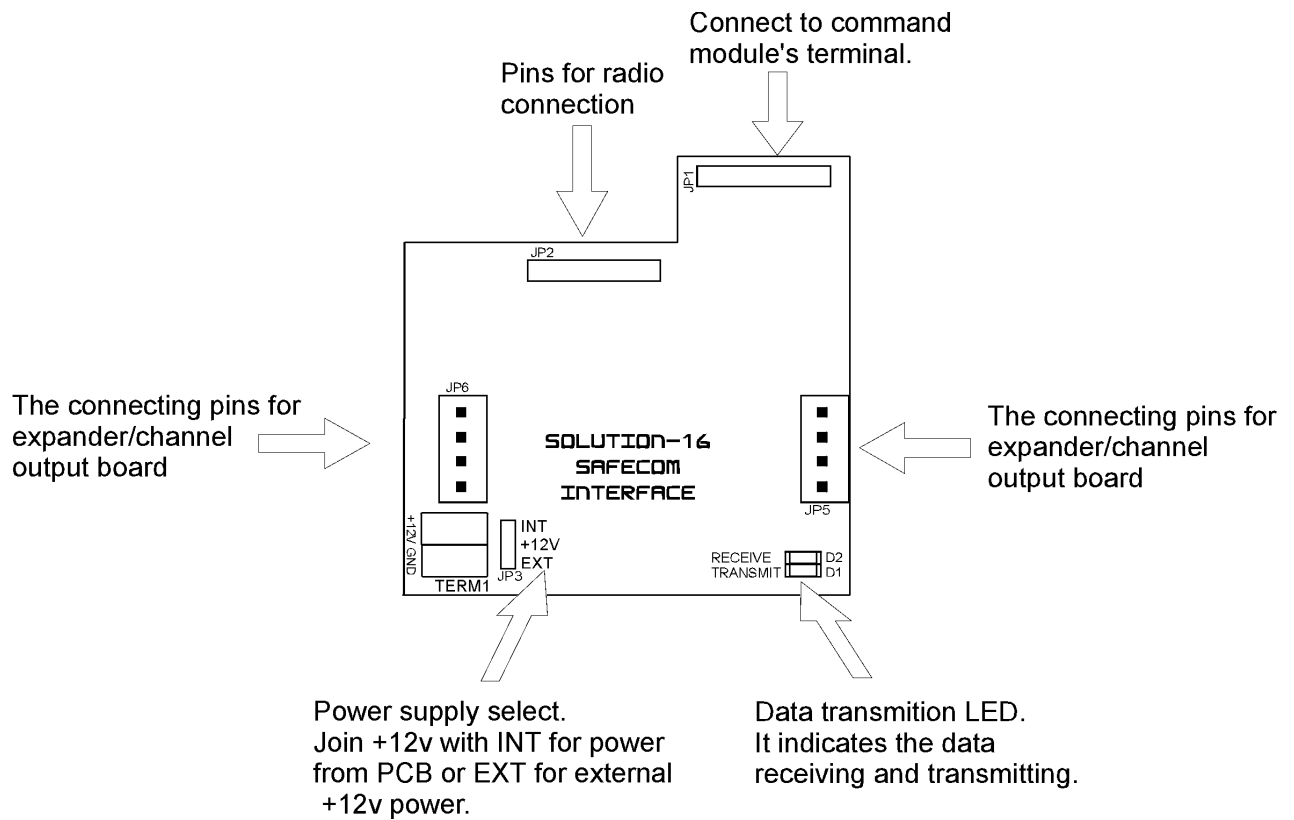


Wiring Diagram

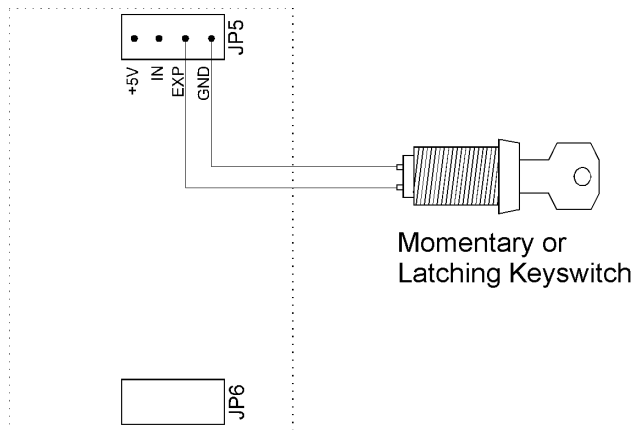
Solution-16



Solution-16 Safecom Interface

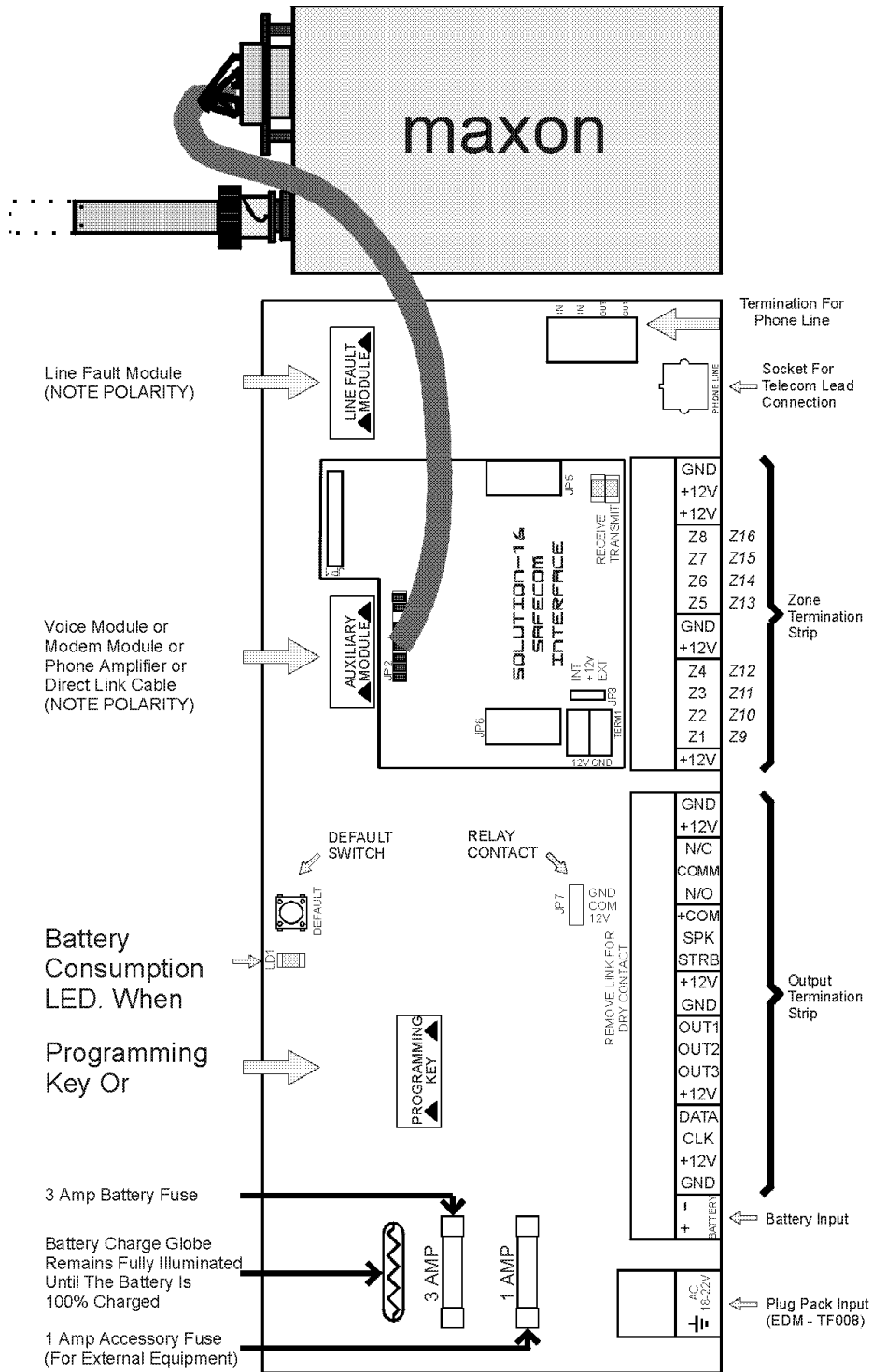


Connection For Momentary Or Latching Keyswitch

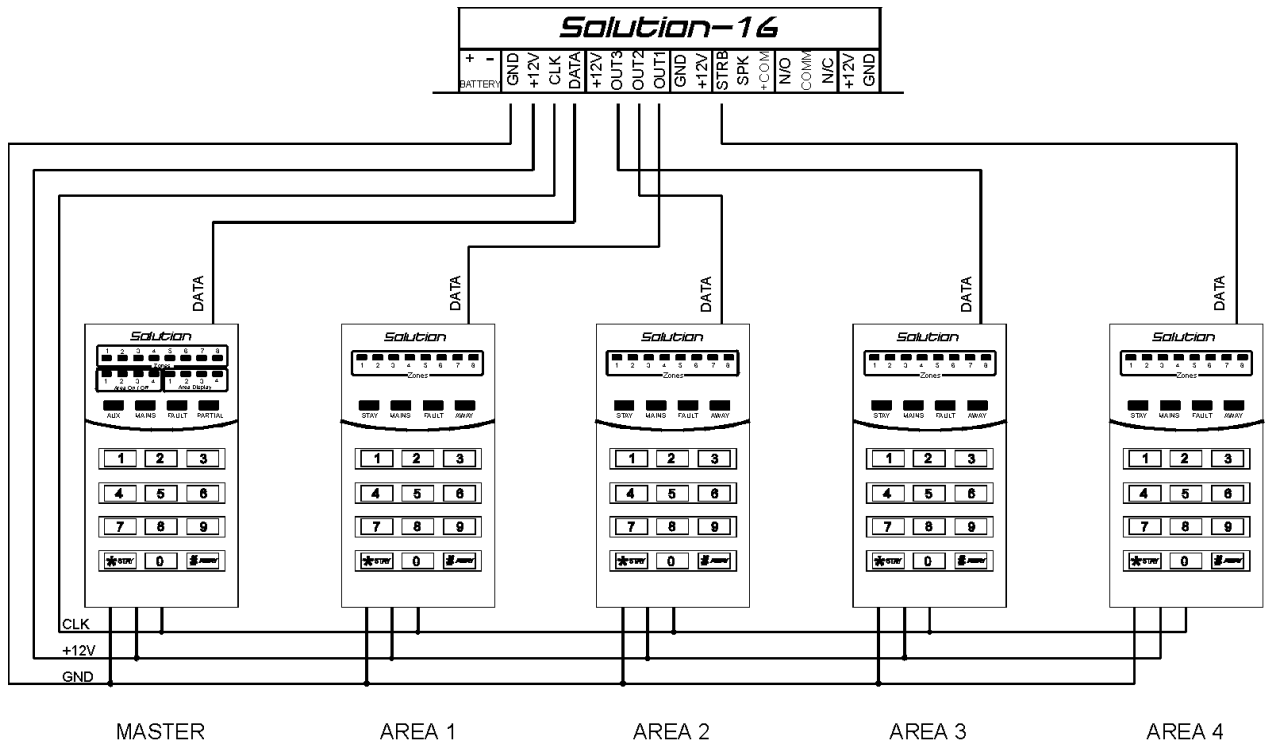


To enable the connection for a momentary or latching keyswitch on the above diagram, refer to "LOCATION 672" under Expansion Board Type to program these options.

Component Overlay

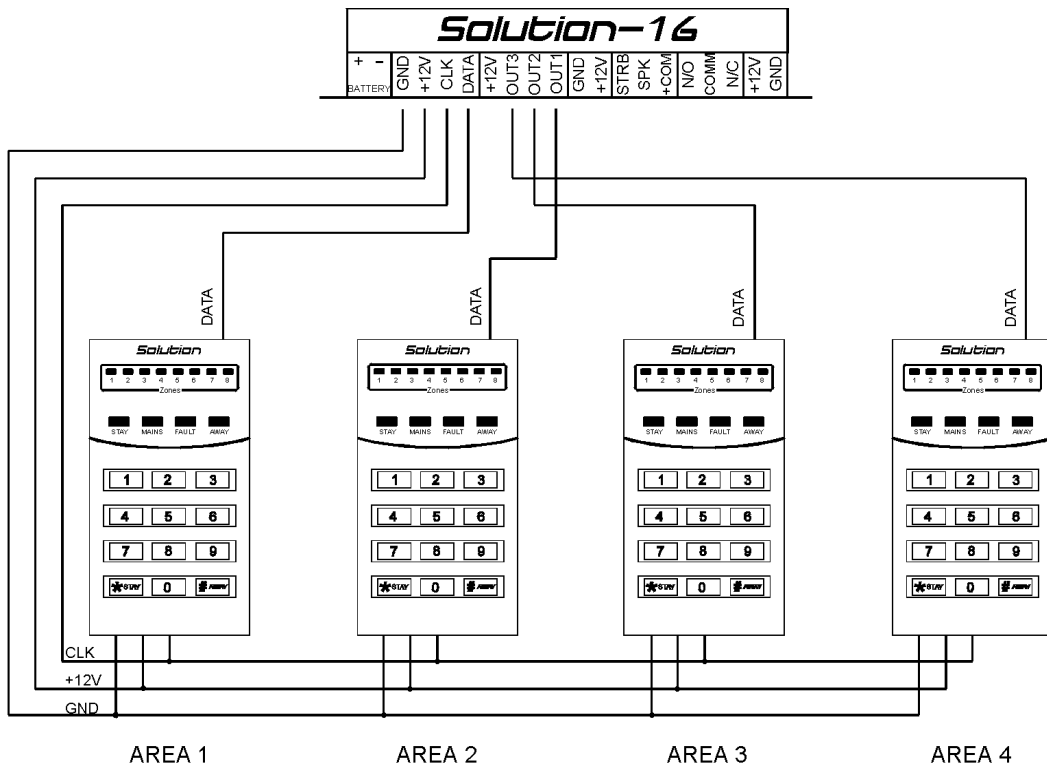


Codepad Connections (Partitioning)



The following locations must be programmed for the "Area Addressable (CP500A)" codepads to function correctly

OUT1 - LOCATION 540 = 6, 541 = 0                      OUT2 - LOCATION 546 = 6, 547 = 1  
 OUT3 - LOCATION 552 = 6, 553 = 2                      OUT4 - LOCATION 558 = 6, 559 = 3



The following locations must be programmed for the "Area Addressable (CP500A)" codepads to function correctly.

LOCATION 667, Enable Option 1 - Main Codepad To Display Data For Area 1  
 OUT1 - LOCATION 540 = 6, 541 = 1,      OUT2 - LOCATION 546 = 6, 547 = 2  
 OUT3 - LOCATION 552 = 6, 553 = 3



---

## **Electronics Design & Manufacturing Pty Limited**

A Division Of Detection Systems. Inc.  
25 Huntingwood Drive  
HUNTINGWOOD NSW 2148  
AUSTRALIA

ACN 002 907 271  
Telephone: 61-2 9672 1777  
Facsimile: 61-2 9672 1717  
Email: [edm@edm.com.au](mailto:edm@edm.com.au)

---